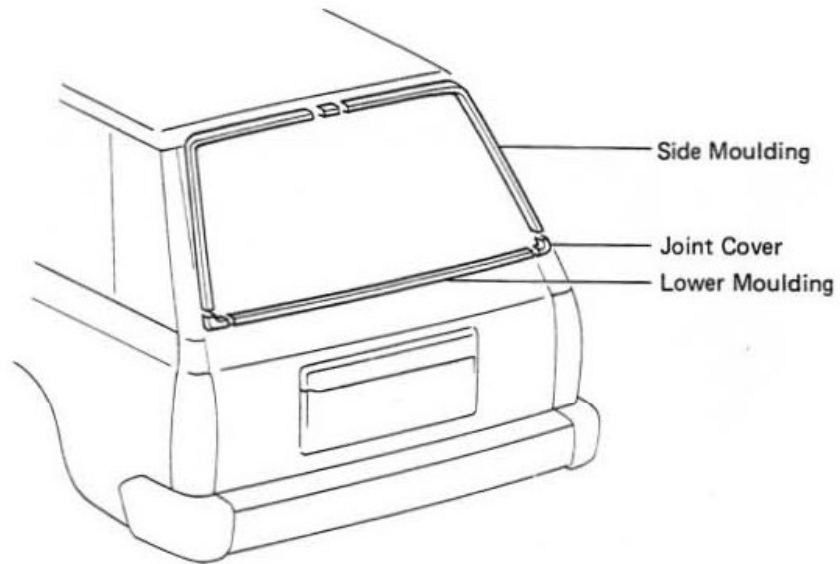


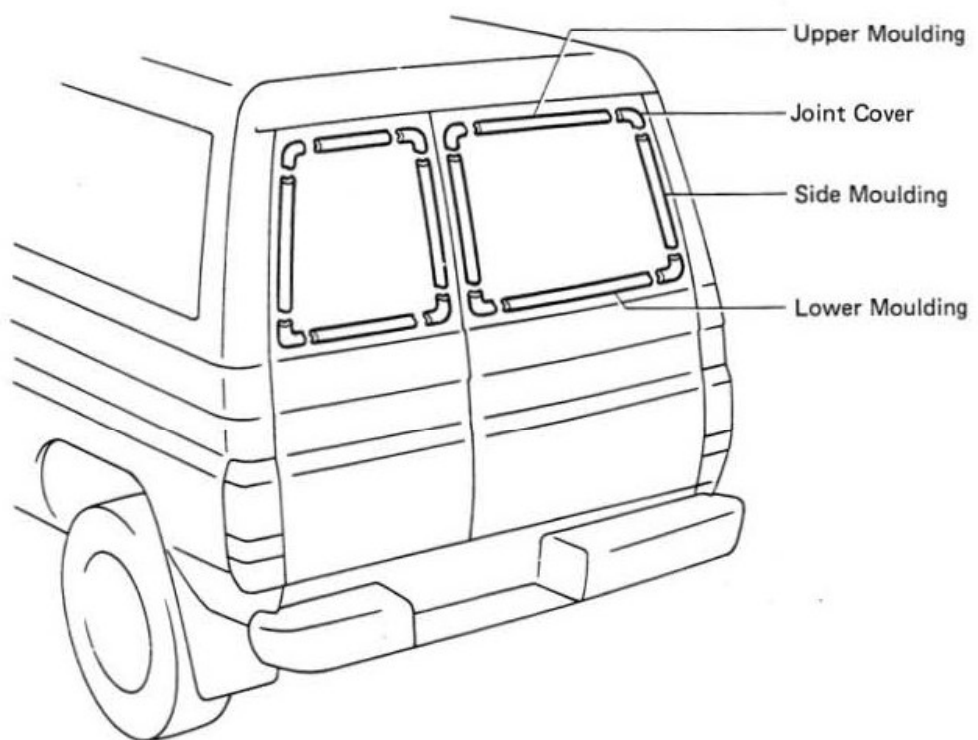
# Back Door Moulding

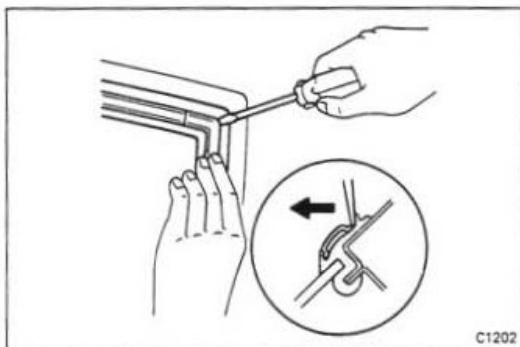
## COMPONENTS

[Lift-up type]



[Swing Out type]

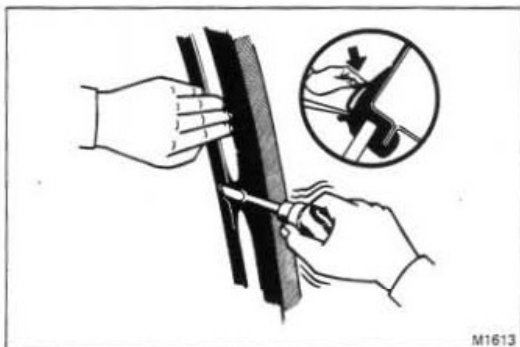




## REMOVAL OF BACK DOOR MOULDING

### REMOVE BACK DOOR MOULDING

- (a) Using a screwdriver, pull off the joint cover.
- (b) Using a screwdriver, pull off the moulding from the end.



## INSTALLATION OF BACK DOOR MOULDING

### INSTALL BACK DOOR MOULDING

Using a screwdriver, install the moulding and joint cover.